



TECHNIWATCH

swiss precision tools

Transportable workbench

Foldable - Ergonomic – transportable - stable

Ref.: N101000

APPLY YOUR KNOW-HOW WHEREVER YOU WISH FOR ALL YOUR PRECISION WORK

Working comfort is vital for performing your precision work under optimal conditions.

This workbench offers the advantages of a traditional workbench with a wide work surface, plus a parts holding groove all the way around its edges. Its inclined armrests provide good arm support, aiding working precision and maximum comfort.

Thanks to its rigid structure, the work surface is extremely stable, and the anti-slip feet further boost this stability, whatever the support on which it is mounted (table, desk, workbench, etc.). Ideally it can be combined with a piston chair, to set an optimal sitting height and comply with the rules of ergonomics and comfort.

Its foldability and very easily transportability make for real assets. In just a few second, the entire workstation can be transformed into a compact assembly which can be inserted into its carrying bag.

Hence this high flexibility enables you to convert a meeting room into a training room, an industrial workshop into a watchmaking workshop, or even a study desk into a training workstation. Once folded, the workbench can be stored and remain available if need be. Its light weight and carrying case also enable you to move it around easily, on foot or in the boot of your vehicle.

Other customisations are possible, in terms of finish and dimensions.



Content :

N101000 : transportable workbench ;
carrying bag

Techniwatch SA

Route de la Jaluse 5b,
2400 Le Locle
Tel : 032 926 19 46
www.techniwatch.ch

Discover our presentation videos on our Youtube channel « Techniwatch SA »
Also accessible by scanning the following QR code





TECHNIWATCH

swiss precision tools

Technical specifications:

- Varnished & satin-finished solid beech top, th. 25 mm
- For table h. 70 to 85 cm.
- 15° inclined armrests; structured black synthetic coating
- Plywood panel frame, thickness 18 mm
- Metal inserts and hinge for all fastenings

Dimensions:

Folded: 898 x 630 x 52
 Unfolded: 884 x 630 x 317

Weight:

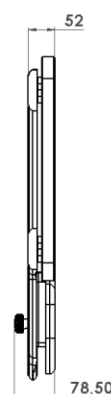
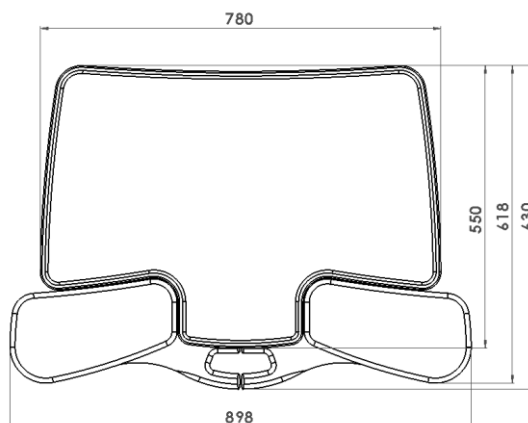
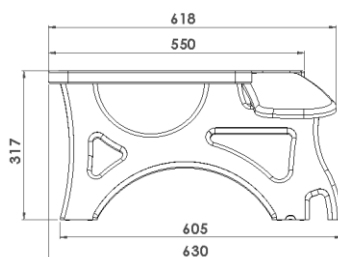
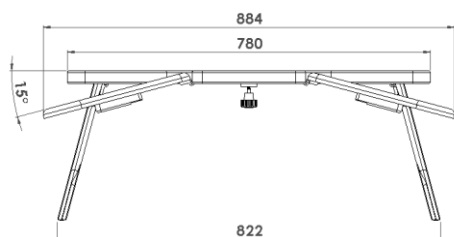
11 kg

Reference:

N101000

Workbench unfolded

Workbench folded



Portable workbench

Product details

APPLICATIONS:

- **WATCHMAKING/JEWELLERY WORKBENCH**
- **HOME WATCHMAKING/TRAINING**
- **MODELLING AND OPTICAL WORK**
- **PRECISION WORK**
- **USE FOR TRADE FAIRS AND EXHIBITIONS**
- **DEMONSTRATIONS IN MEETING AND TRAINING ROOMS**

Advantages:

- ➔ Aesthetic appearance
- ➔ Excellent stability
- ➔ Foldable and transportable
- ➔ Compact and lightweight
- ➔ Workbench lamp and pad as accessories



Maintenance advice:

Clean the surface and armrests using a soft wet cloth.

Store the workbench in a dry environment.

Portable workbench

Accessories

	Products	References
	Pad	N101000-SM
	Workbench lamp (see product sheet)	H496000-P

Techniwatch SA

Route de la Jaluse 5b,
 2400 Le Locle
 Tel : 032 926 19 46
www.techniwatch.ch

Discover our presentation videos on our Youtube channel « Techniwatch SA »
 Also accessible by scanning the following QR code





TECHNIWATCH

swiss precision tools



*Easily foldable
Locked in the folded position by a
clamping nut*



*Storable in
carrying bag
Easily
transportable
thanks to the
carrying straps
Storage pouches on
the outside*



Techniwatch SA

Route de la Jaluse 5b,
2400 Le Locle
Tel : 032 926 19 46
www.techniwatch.ch

Discover our presentation videos on our Youtube channel « Techniwatch SA »
Also accessible by scanning the following QR code

